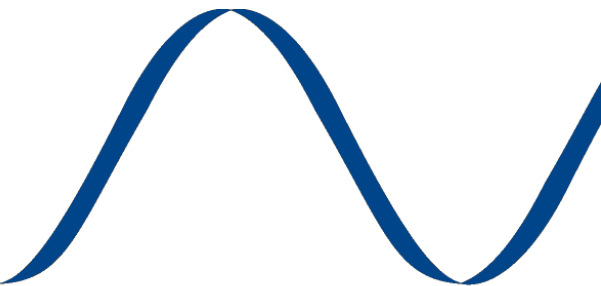


Specialists in alternators

For over 60 years Mecc Alte have been specializing in one thing only, producing the finest most reliable alternators for use across a multitude of applications.

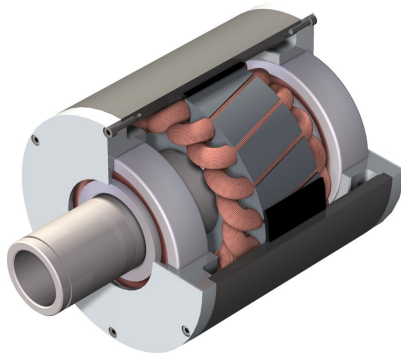


power pure and simple

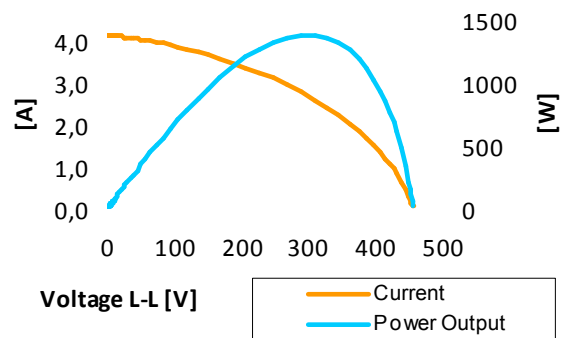




Specialists in alternators



Power output (1kW Model) at 410 RPM



Micro Wind turbine

Small wind turbines are one of the most adaptable, flexible and easy to use technologies for generating sustainable and cheap electricity: for this reason this market demand is exploding right now.

Unfortunately, the market on this application is affected from the lack of industrialized components with a specific designed performance.

New turbine producers usually have to design on their own all the parts, increasing the costs and inflating the time to market.

Mecc Alte Eogen Solution

In order to satisfy this particular application, MeccAlte decided to fill the gap in the current generator industry and to design a new series of alternator focused on this new application. The Eogen series, ranging from 400W to 5kW, has been consequently designed with the latest technology available.

By means of the oversized double bearing design, Eogen are the perfect solution both for vertical and horizontal wind turbine as it can be used as rotating hub for the blades, which result in the better solution for the integrator.

Technical Specs:

- 16 Poles, Voltage tuned on customer request
- 20 years life design
- NeFeB Magnets
- IP55, totally enclosed generator for a total reliability
- Low friction SKF bearings
- Nominal speed ~400rpm, Max speed up to 4200 rpm
- Starting and cogging torque minimized
- Efficiency >90%, cold copper design
- Mast or Hub integrated



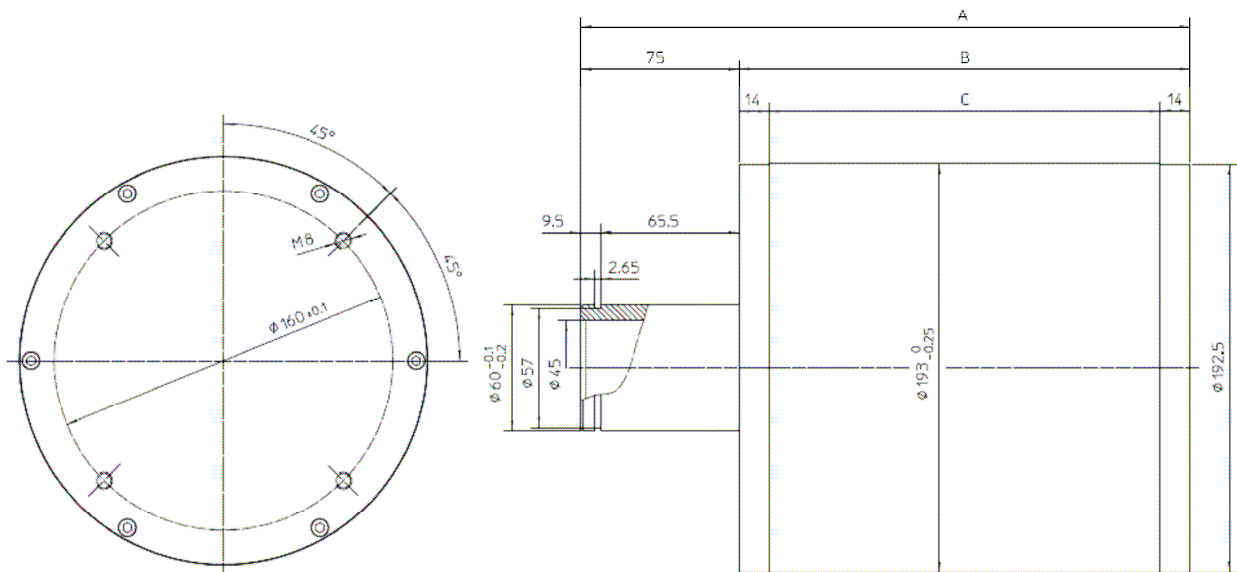
Specialists in alternators

Model	Eogen 30/16	Eogen 60/16	Eogen 150/16	Eogen 270/16
Power (nominal speed) ^{*,†} [kW]	0.5	1	3	5
Voltage (nominal speed and load) [‡] [V]	400	400	400	400
Nominal Speed [‡] [rpm]	415	415	415	415
Weight [kg]	23	28	43	63
Dimension A [mm]	258	288	378	498
Dimension B [mm]	183	213	303	423
Dimension C [mm]	155	185	275	395
Bearing Size [*]	6312 2Z	6312 2Z	6312 2Z	6312 2Z
Max Radial load (Dinamic) [kg]	6080	6080	6080	6080
Max Radial load (Static) [kg]	3711	3711	3711	3711
Max Axial load [kg]	1855	1855	1855	1855

* Nominal power referred to class H continuous rating; 10% overload is accepted 1h every 6 hours of operations.

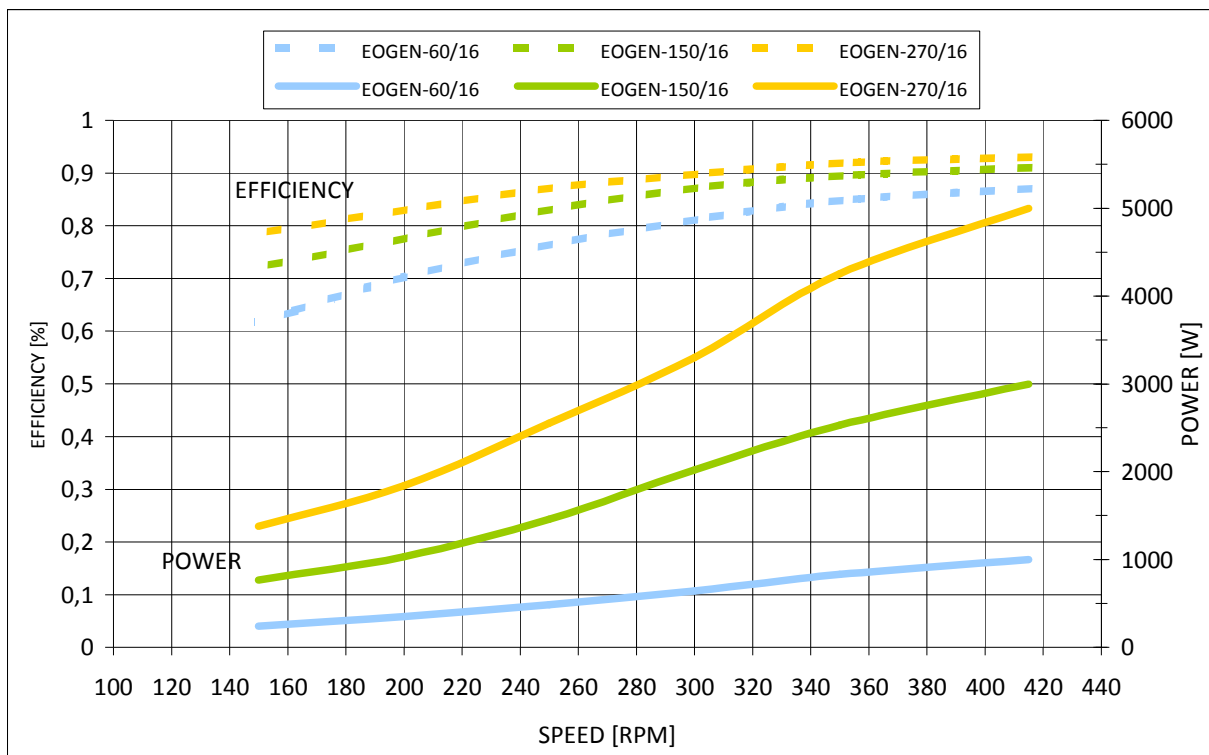
† Custom voltage, speed and power output are available on request.

• Custom mechanical solutions are also available on dedicated projects.





Specialists in alternators



As an innovative and dynamic company Mecc Alte is committed to long term success in collaboration with its many partners. Mecc Alte have over 60 years of experience in the power generation industry. It is this experience coupled with world class after sales support that makes Mecc Alte the number one choice for power solutions.

All the technical data have to be considered as a reference only and they can be modified without any notice.

This document is a property of MeccAlte , all rights are reserved

Please contact Meccalte for more information at www.meccalte.com