



www.meccalte.com

 COMPANY
 WITH QUALITY SYSTEM
 CERTIFIED BY DNV
 ISO 9001

ECO43N

4 POLE

CHARACTERISTICS

INDUSTRIAL RATINGS

ambient 40°C

Type	KVA - cos φ 0.8 - 3 Phase continuous							EFFICIENCY		
	CL. H (ΔT= 125°C)				CL. F (ΔT= 105°C)			η % CL. H (ΔT= 125 °C)		
50 Hz										
Series Star Y	760	800	830		760	800	830			
Parallel Star YY	380	400	415	IP45	380	400	415	2/4	3/4	4/4
Series Delta Δ	440	460	480	400 V	440	460	480			
Parallel Delta ΔΔ	220	230	240		220	230	240			
ECO43-1SN/4	800	800	800	620	730	730	730	93,9	95,3	95,1
ECO43-2SN/4	930	930	930	730	850	850	850	94,4	95,7	95,4
ECO43-1LN/4	1100	1100	1100	850	1000	1000	1000	94,8	96	95,8
ECO43-2LN/4	1300	1300	1300	1000	1200	1200	1200	95	96,2	96

60 Hz	CL. H (ΔT= 125°C)				CL. F (ΔT= 105°C)			EFFICIENCY		
								η % CL. H (ΔT= 125 °C)		
Series Star Y	880	920	960		880	920	960			
Parallel Star YY	440	460	480	IP45	440	460	480	2/4	3/4	4/4
Series Delta Δ	508	530	554	480 V	508	530	554			
Parallel Delta ΔΔ	254	265	277		254	265	277			
ECO43-1SN/4	960	960	960	750	870	870	870	94,4	95,6	95,3
ECO43-2SN/4	1060	1116	1116	876	969	1020	1020	94,7	95,8	95,8
ECO43-1LN/4	1260	1320	1320	1020	1145	1200	1200	95,1	96,1	96
ECO43-2LN/4	1482	1560	1560	1200	1368	1440	1440	95	96,5	96,4

STANDBY RATING

Type	KVA Temp. Rise / Ambient °C			KVA Temp. Rise / Ambient °C		
	50 Hz			60 Hz		
	163° / 27°	150° / 40°	125° / 27°	163° / 27°	150° / 40°	125° / 27°
ECO43-1SN/4	874	840	840	1050	1009	1008
ECO43-2SN/4	1016	977	975	1220	1173	1170
ECO43-1LN/4	1201	1155	1150	1442	1386	1380
ECO43-2LN/4	1420	1365	1358	1704	1638	1630

Type	J (Kgm ²) B3-B14 Form	Weight (Kg)	Air Volume (m ³ /min)		Noise dB(A)			
			50 Hz		50 Hz		60 Hz	
			50 Hz	60 Hz	1m	7m	1m	7m
ECO43-1SN/4	17,493	1870	90	108	95	84	99	89
ECO43-2SN/4	19,14	2090						
ECO43-1LN/4	21,995	2395						
ECO43-2LN/4	25,585	2660						

ACCESSORIES

REGULATOR			PARALLEL DEVICE	THERMAL PROTECTION			HEATERS	MECHANICAL PROTECTION		
DSR	SR7/2	UVR6		PTC	BIMET. DEVICE	PT100		IP21	IP23	IP45
<input checked="" type="checkbox"/>	<input type="checkbox"/>	<input type="checkbox"/>	<input checked="" type="checkbox"/>	<input type="checkbox"/>	<input type="checkbox"/>	<input type="checkbox"/>	<input type="checkbox"/>	<input checked="" type="checkbox"/>	<input type="checkbox"/>	<input type="checkbox"/>

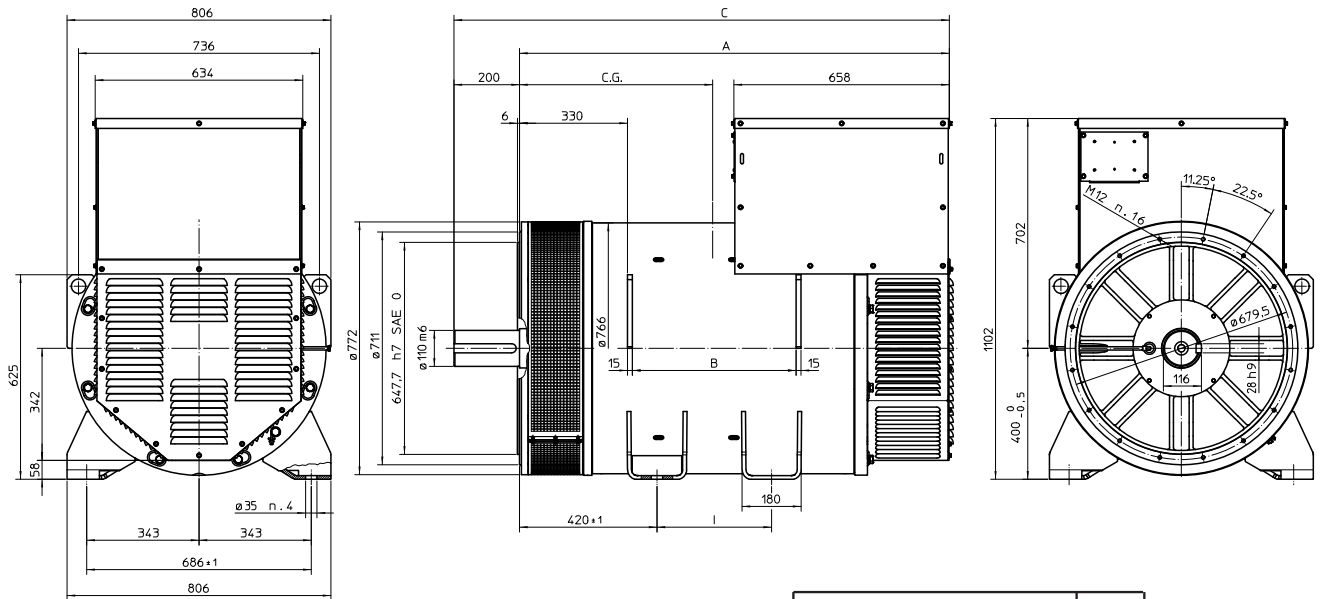
● = Standard

□ = Optional



OVERALL DIMENSIONS B3-B14 FORM

dimensions in mm

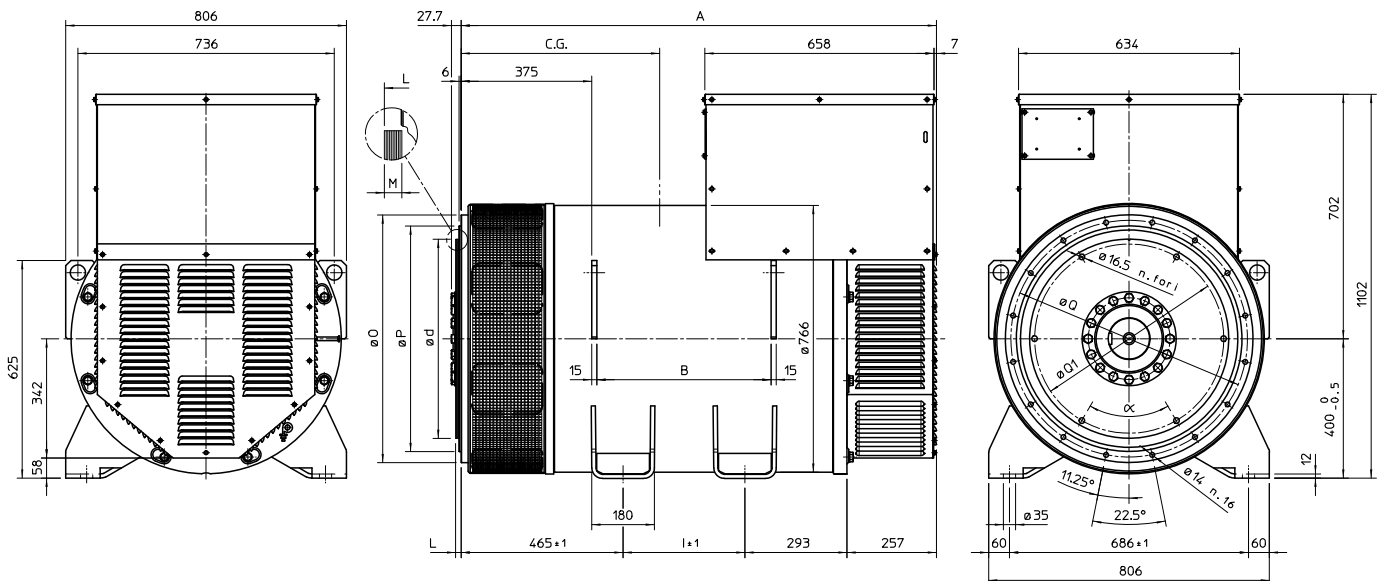


TYPE	A	B	C	I
ECO 43 - S N	1313	500	1513	350
ECO 43 - L N	1513	700	1713	550

TYPE	C.G.
ECO 43 - 1SN/4	590
ECO 43 - 2SN/4	620
ECO 43 - 1LN/4	720
ECO 43 - 2LN/4	810

OVERALL DIMENSIONS MD35 FORM

dimensions in mm



TYPE	A	B	I
ECO 43 - S N	1365	500	350
ECO 43 - L N	1565	700	550

SAE N.	FLANGE		
	O	P	Q
1	711	511,2	530,2
0	711	647,7	679,5
00	883	787,4	850,9

SAE N.	DISC COUPLING					
	d	L	M	Q1	N. FORI	α
18	571,5	15,7	10	542,92	6	60°
21	673,1	0	12	641,35	12	30°

TYPE	C.G.
ECO 43 - 1SN/4	510
ECO 43 - 2SN/4	570
ECO 43 - 1LN/4	660
ECO 43 - 2LN/4	770